



# Delta

WATER SOFTENERS



## Delta

DUPLEX

TIBERA



- *Soft water 24h/24h*
- *Non-electric operation*
- *Duplex parallel*
- *Reduced salt and water consumption*
- *High flow rates*

100% GREEN



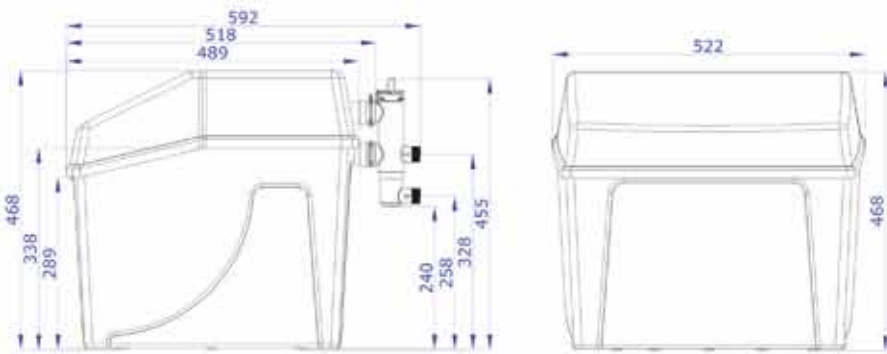


# Delta

WATER SOFTENERS

## TIBERA

### DIMENSIONS



### TECHNICAL DATA

|                               |   |
|-------------------------------|---|
| Connection                    | 1/2", 3/4", 1"                                |
| Working Pressure              | 1 - 8 bar*                                    |
| Flow Rate ( $\Delta p$ 1 bar) | max. 2600 l/h                                 |
| Exchange Capacity             | 2 x 150 m <sup>3</sup> /ppm CaCO <sub>3</sub> |
| Water Usage / Regeneration    | 18 L  |
| Salt Usage / Regeneration     | 0,3 kg  |
| Regeneration Time             | 15 min  |
| Max. Temperature              | 50 °C   |
| Filterscreen                  | 80 $\mu$ m                                    |

\* for a correct regeneration, Delta Softeners require a minimum outlet pressure of 0.8 bar

100% GREEN

Delta Water Engineering NV

Waesdonckstraat 1, 2640 Mortselsel (Antwerp), BELGIUM

T +32 3 219 50 70

E [info@deltawatersystems.com](mailto:info@deltawatersystems.com) U [www.deltawatersystems.com](http://www.deltawatersystems.com)

